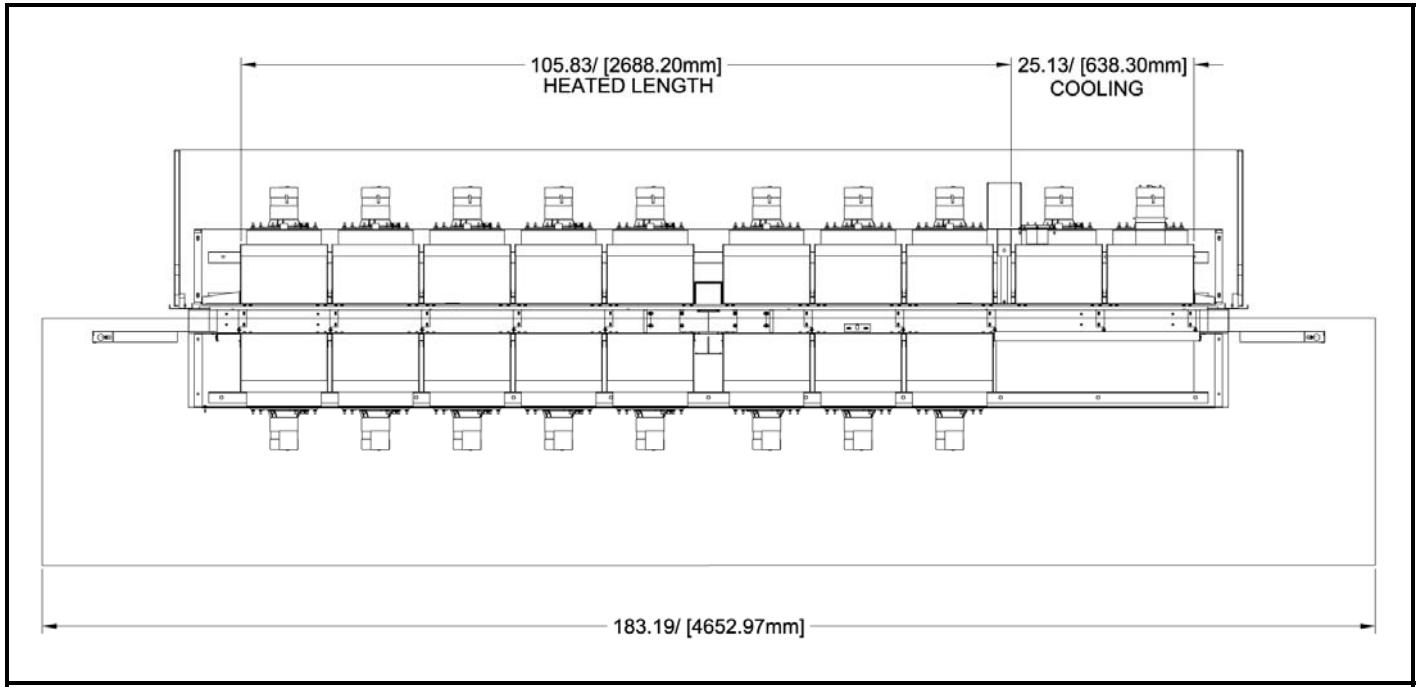


Heller Industries Model 1826 MK 5



1826 MK5 (Air)

1826 MK5 (Nitrogen)

Electric Supply

Power Input (3 Phase) Standard	480 volts	480 volts
Breaker Size	100 amps @ 480v	100 amps @ 480v
kW	6.6 - 14 Continuous	6.6 - 14 Continuous
Typical Run Current	30 - 35 amps @ 480v	30 - 35 amps @ 480v
Optional Power Inputs Available	208/240/380/400/415 VAC	208/240/380/400/415 VAC
Frequency	50/60 Hz	50/60 Hz
Sequential Zone Turn On	S	S

Dimensions

Overall Oven Dimensions	183" x 54" x 63"	465 cm x 137 cm x 160 cm
Typical Net Weight	4535 lbs. (2060 kg)	4535 lbs. (2060 kg)
Typical Shipping Weight	5675 lbs. (2580 kg)	5675 lbs. (2580 kg)

Computer Control

AMD or Intel Based Computer	S	S
Flat Screen Monitor w/Mount	S	S
Windows Operating System	Windows Vista/7®	Windows Vista/7®
Auto Start Software	S	S
Data Logging	S	S
Password Protection	S	S
LAN Networking	O	O

Inert Atmosphere

Minimum PPM Oxygen	-	10-25 PPM
Waterless Cooling w/ Flux Separation System	-	O
Nitrogen On/Off Valve	-	O
Oxygen Monitoring System	-	O
Nitrogen Standby System	-	O
Typical Nitrogen Consumption	-	500 - 700 SCFH *

Additional Features

KIC Profiling Software	S	S
Signal Light Tower	S	S
Powered Hood Lift	S	S
Five (5) Thermocouple Profiling	S	S
Redundant Alarm Sensors	O	O
Intelligent Exhaust System	O	O
KIC Profiler / ECD Profiler	O	O
Center Board Support	O	O
Board Drop Sensor	O	O

Heller Industries Model 1826 MK 5

Board Counter	O	O
Bar Code Reader	O	O
Custom Paint & Decal	O	O
Battery Backup for Conveyor and PC	O	O
GEM/SECS Interfacing	O	O

* Varies with PPM, PCB size and oven configuration

Mesh Belt Conveyor

Height From Floor	35.5" ± 2.0" (90 cm ± 5 cm)	35.5" ± 2.0" (90 cm ± 5 cm)
Maximum PCB Width	24" (61 cm)	10" (25 cm) 15" (38 cm) 18" (46 cm) 20" (56 cm) 24" (61 cm)**
Space Required Between PCB's	0.0" (0.0 cm)	0.0" (0.0 cm)
Conveyor Length On-Load	18" (46 cm) *	6" (15 cm) *
Conveyor Length Off-Load	18" (46 cm) *	6" (15 cm) *
Heated Tunnel Length	105" (254 cm)	105" (254 cm)
Process Clearance Above Mesh Belt	2.3" (5.8 cm)	2.3" (5.8 cm)
Mesh Belt Pitch	0.5" (1.27 cm)	0.5" (1.27 cm)
Maximum Conveyor Speed	74"/Min (188 cm/min.)	74"/Min (188 cm/min.)
Conveyor Direction Left to Right	S	S
Conveyor Direction Right to Left	O	O

Edge Hold Conveyor System Option

Height from Floor – Standard	37.0" ± 2.0" (94 cm ± 5 cm)	37.0" ± 2.0" (94 cm ± 5 cm)
Height from Floor – Optional	32.6" +3.9" / - .4" (83 cm + 10 cm / -1 cm)	32.6" +3.9" / - .4" (83 cm + 10 cm / -1 cm)
Clearance Above & Below Conveyor Pins	1.15" (2.9 cm)	1.15" (2.9 cm)
Length of PCB Support Pins	.187" (4.75 mm)	.187" (4.75 mm)
3 mm long support pins	O	O
Minimum/Maximum Board Width	2.0" – 24" (5 – 61 cm)	2.0" - 24" (5 – 61 cm)
Power Width Adjustment	S	S
Computer Controlled Width Adjust	O	O
Auto Lubrication System	O	O

Forced Convection Zones

Top & Bottom	8	8
Heater Type	Instant response open coil	Instant response open coil
Heater Material	Nichrome	Nichrome
Profile Change Time	5 – 15 minutes	5 - 15 minutes

Temperature Control

Accuracy of Temperature Controller	± .1°C	± .1°C
Cross-Belt Temperature Tolerance	± 2.0°C	± 2.0°C
Heater Wattage Per Zone	6000 w	6000 w
Temperature Range Standard	25-350°C	25-350°C
High Temperature Up to 450°C	O	O

Cooling Systems

Number of Cooling Zones Standard	2	2
Additional Cooling Zones	O	O
Water Cooling	-	O

Notes: S = Standard, O = Optional. * A 12" (30 cm) Conveyor extension is an available option
A continuous program of product improvement may result in changes to specification and performance.
The right is reserved to institute these improvements without notice or liability.

Specifications continue on reverse.

HELLER

INDUSTRIES, Inc.

At the leading edge of electronic assembly

Heller Industries, Inc., 4 Vreeland Road, Florham Park, New Jersey 07932

• Tel (973) 377-6800 • Fax (973) 377-3862 • E-Mail: info@hellerindustries.com • Web Site: www.hellerindustries.com

West Coast Office: (512) 454-4057 • E-mail: kvirden@hellerindustries.com

Europe Office: +441-16-223-8107 • E-Mail: pmartin@hellerindustries.com Singapore Office: 65 - 6832 5917 • E-Mail: wojtek@hellerindustries.com

Korea Office: 82-31-769-0808 • E-Mail: hpark@hellerindustries.co.kr China Office: 86-21-6442-6180 • E-Mail: ali@hellerindustries.com.cn